

6" STEPS

PRODUCT DATA SHEET



Scan me for more info.



INDIANA LIMESTONE - FULL COLOR BLEND™
Limestone - 6" steps

6" steps add a distinct sense of permanence to hardscaped areas. Create durable and timeless step elements from single pieces of natural stone.

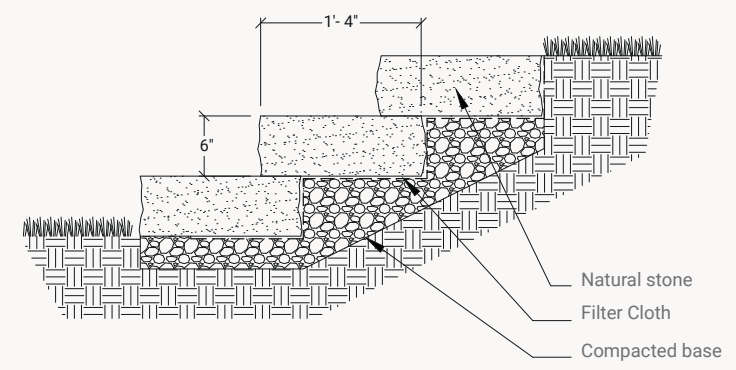
Shape	Dimensions	Thickness
	16" x 36"	6"
	16" x 48"	6"
	16" x 60"	6"

STONES

- INDIANA LIMESTONE - FULL COLOR BLEND™***
Limestone - Smooth top, Split-face
- GEORGIA MARBLE™ PEARL GREY™**
Marble - Sandblasted top, Split-face

*Note: Cement-based damp-proofing should be applied to the back and all unexposed sides of the pavers to protect the limestone from moisture and prevent staining.

DIAGRAM OF 6" STEPS



We recommend a minimum overlap of 1 to 3 inch for steps in your project.

6" STEPS

PACKAGING INFORMATION

STEPS							
Products	Size	Thickness	Quantity per crate	Units per crate	Weight per crate (Lbs)		
					Limestone	Granite	Marble
3 ft.	16" x 36"	6"	18 ln.ft.	6	1,728	2,040	2,124
4 ft.	16" x 48"	6"	24 ln.ft.	6	2,304	2,700	2,812
5 ft.	16" x 60"	6"	30 ln.ft.	6	2,880	3,360	3,500